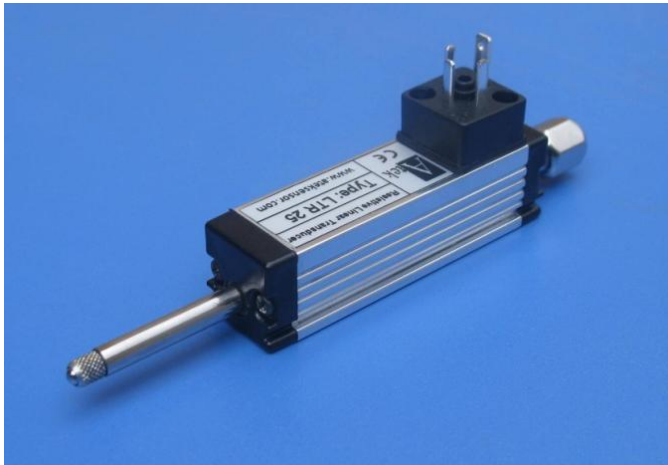




LINEAR POSITION TRANSDUCERS

LTR

“Return Spring System for Short Distance Measurements”



- Return spring system
- Short distance measurement
- Small structure
- Potentiometric measurement
- Measuring distances from 10 mm to 150 mm
- High Resolution
- High life with 100 million moves
- High operating speed 5 m / s

The most important feature of the LTR Series position sensors is that they have push-back springs.

They work as ABSOLUTE since they are potentiometric, meaning they do not lose their position in the power cuts.

They are not affected by wear due to the linearized conductive plastic resistance alloy and special contacts, and operate for long periods with motion lives of up to 100 million. Because they make the resistance change linear by special methods, they make stable and equal measurements every time.

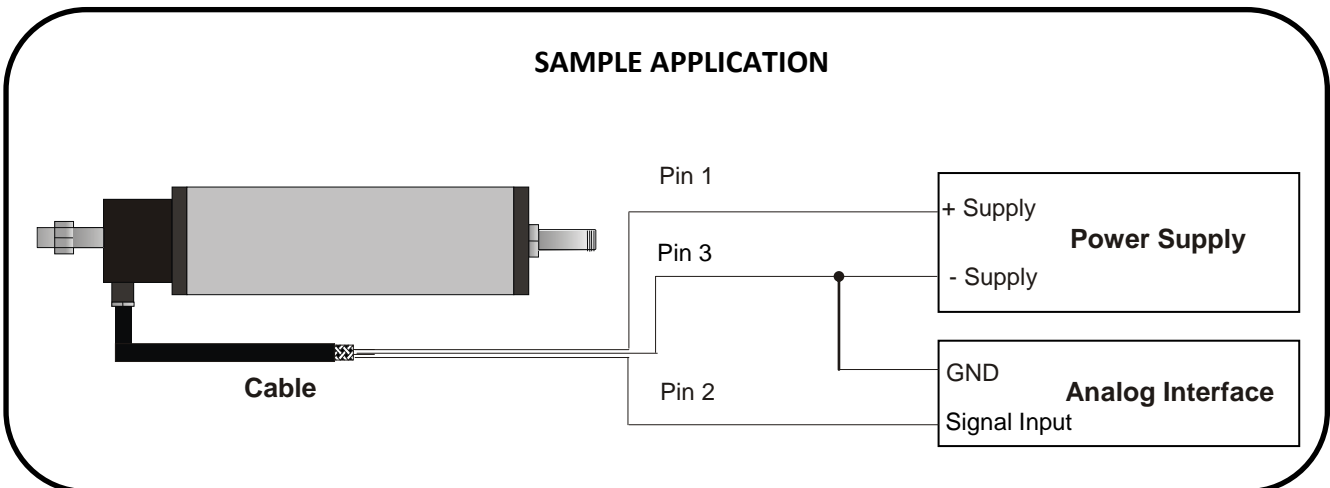
Connection

POTENTIOMETRIC OUTPUT

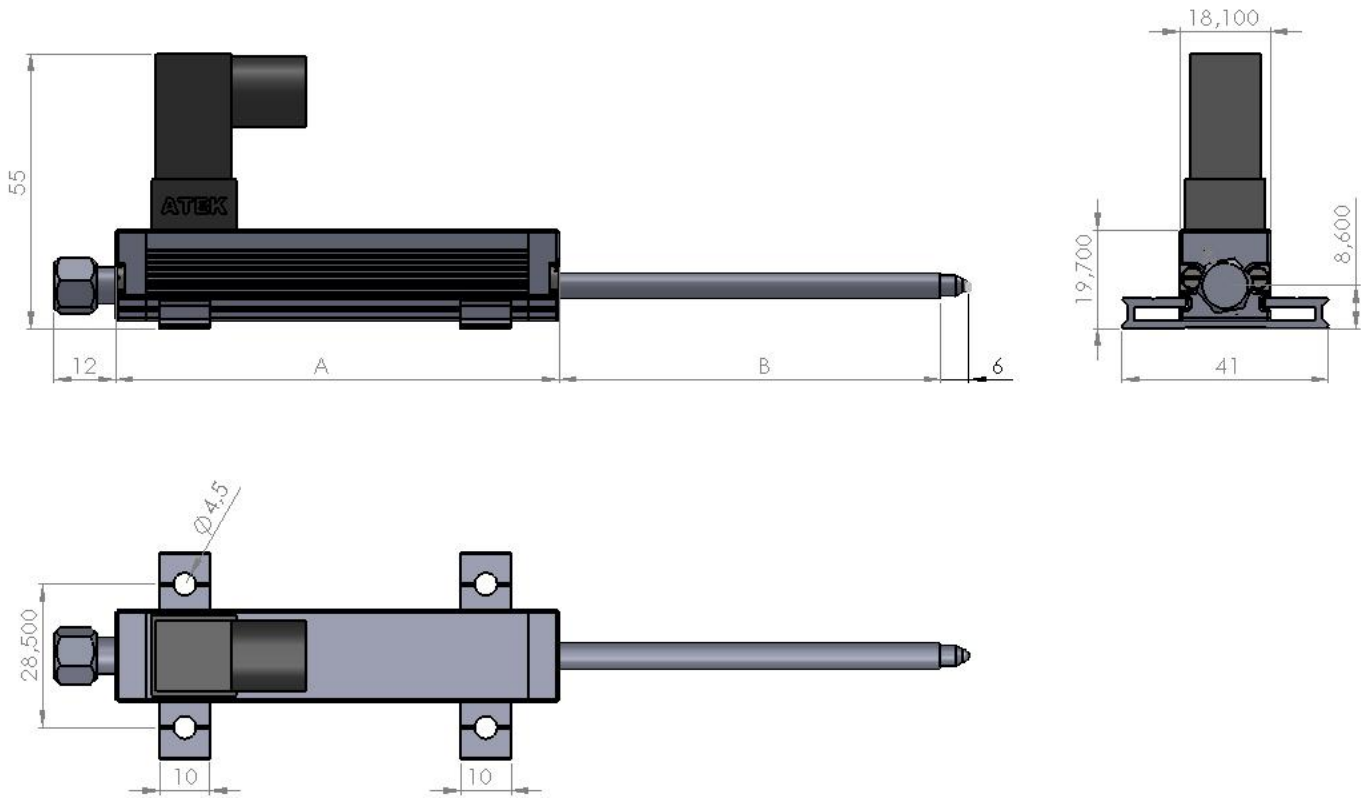
1. Resistance / +Supply
2. Output
3. Resistance / -Supply
4. SHIELD

Potentiometric Connection (Voltage Divider)

Technical Specifications	
Defined Electrical Ranges (mm)	10 – 25 – 50 – 75 – 100 - 150
Resistance Element	Conductive Plastic
Output Signals	Potentiometric
Independent Linearity	± %0,6
Electrical Connection	4 pin female DIN43650
Power Supply	Maximum 42 VDC
Resistance	5K – 10 K ±%20 (Optional Other)
Operating Temperature	-30°C +100°C
Life	100 Million Movements
Spindle Material	Stainless Steel
Body Material	Anodized Aluminum
Protection Class	IP 54



Mechanical Measurements



Strokes (mm)	10	25	50	75	100	150
A	48	63	95	135	167	227
B	16	57	82	107	132	182
Electrical Stroke	10	25	50	75	100	150
Mechanical Stroke	12	27	52	77	102	152

Order Code

Model No

Length Options / Measuring Length

Choice of measuring sizes from 10 mm to 150 mm

L T R - 1 0 0



Atek Sensor Technology A.S.

Tuzla KOSB Organize Sanayi Bolgesi Melek Aras Bulvari, No:67 34956 Tuzla - Istanbul / TURKEY

Tel: +90 216 399 44 04

Fax: +90 216 399 44 02

www.ateksensor.com

info@ateksensor.com

